

Yield

- Yield : 400kg / 1hr
- Operator : 1

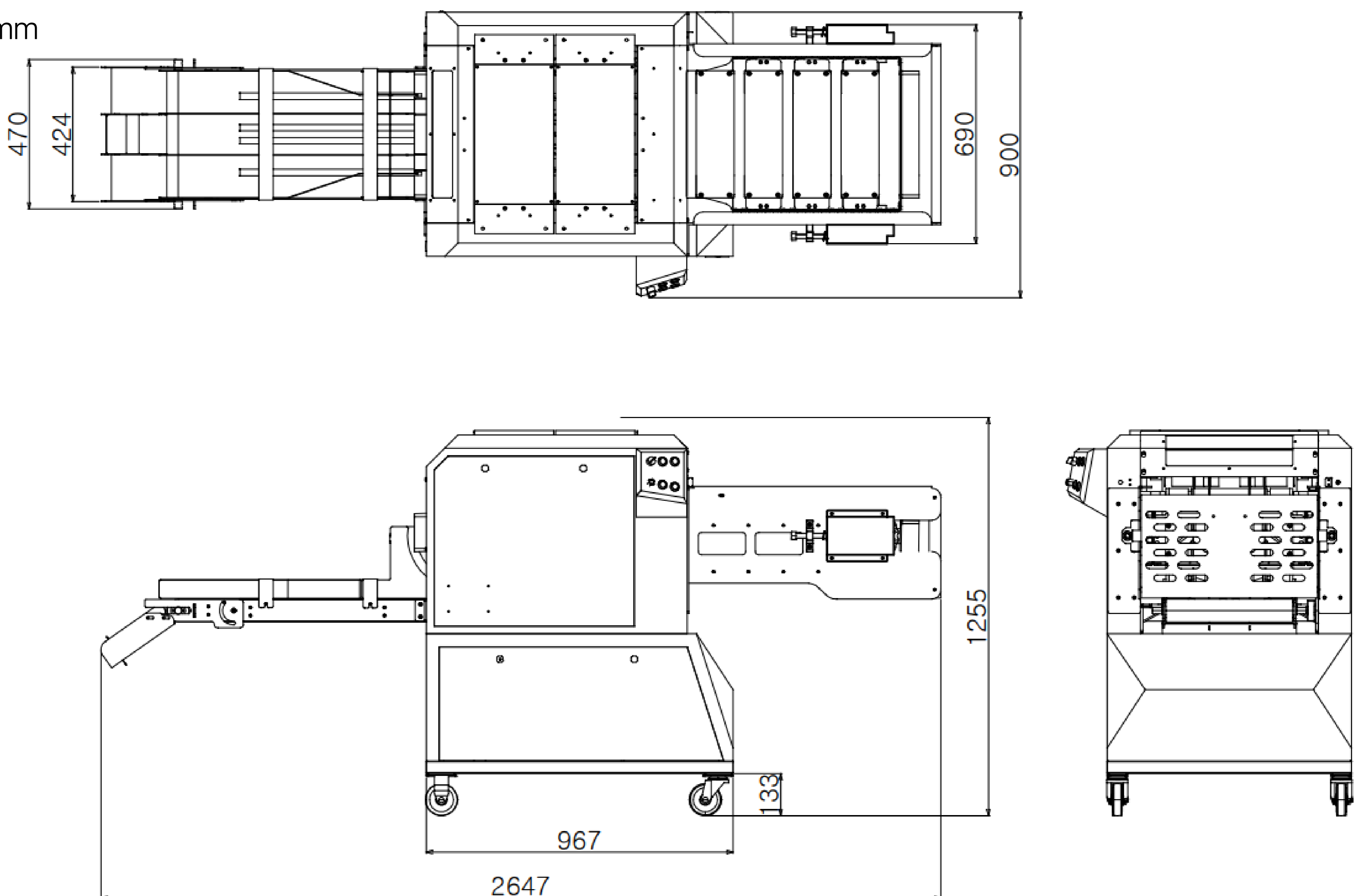
Technical Specifications

- Stainless steel angle pipe, stainless steel bending structure
- Operating voltage : 3-phase 380V
- Power consumption : 0.75KW
- HDPE molds : 20EA · Material of the knife: 420J2
- Machine dimensions
 - Outer diameter Ø 200
 - Width 2,647mm
 - Length 900mm
 - Height 1,255mm
 - Inner diameter Ø 28
 - Thickness 1.2mm

Jeil Precision is a South Korean food processing machinery manufacturing company established in 2002.

We primarily focus on poultry cutting equipment and provide differentiated solutions based on years of experience.

With expertise in designing and developing specialized machines for secondary processing production lines, personnel deployment, and customized machinery, we aim to reduce labor costs and meet the diverse demands of cutting products driven by changes in dietary culture through engineering design and research and development (R&D).



CONTACT US

ADD. 21-24, Bangchon-ro 348 Beon-gil,
Paju-si, Gyeonggi-do, 10847 Korea

TEL. +82 31 947 4479

E-mail. info@jeilprecision.com

